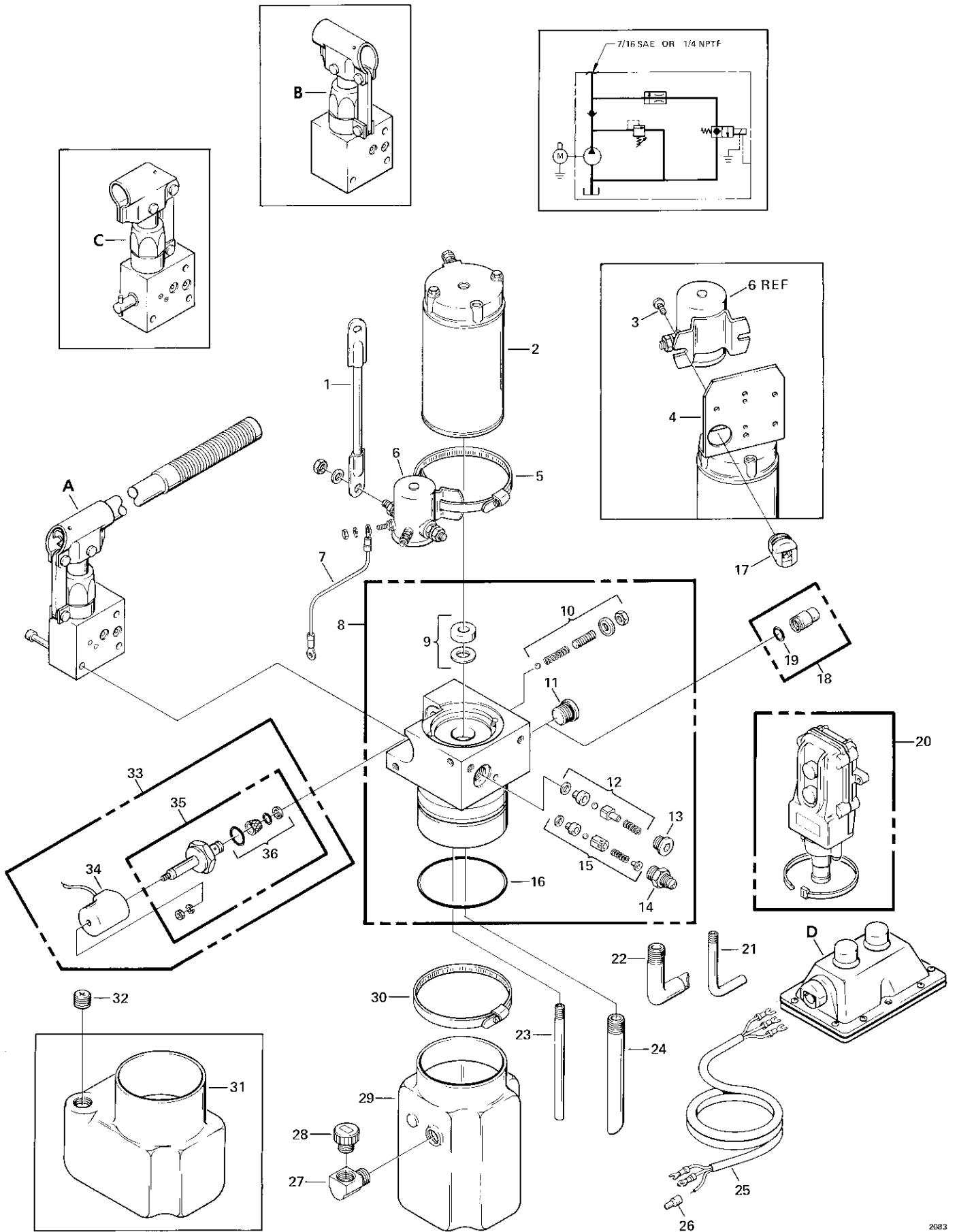




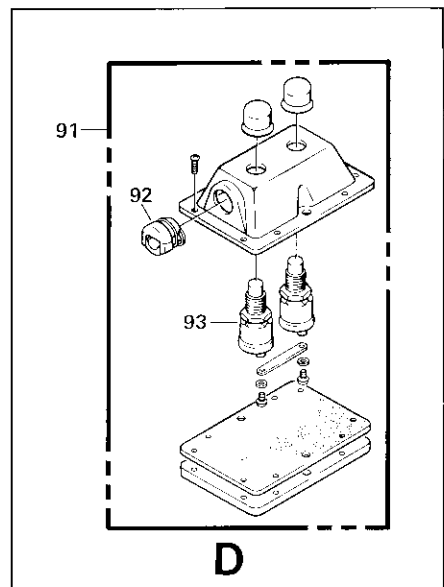
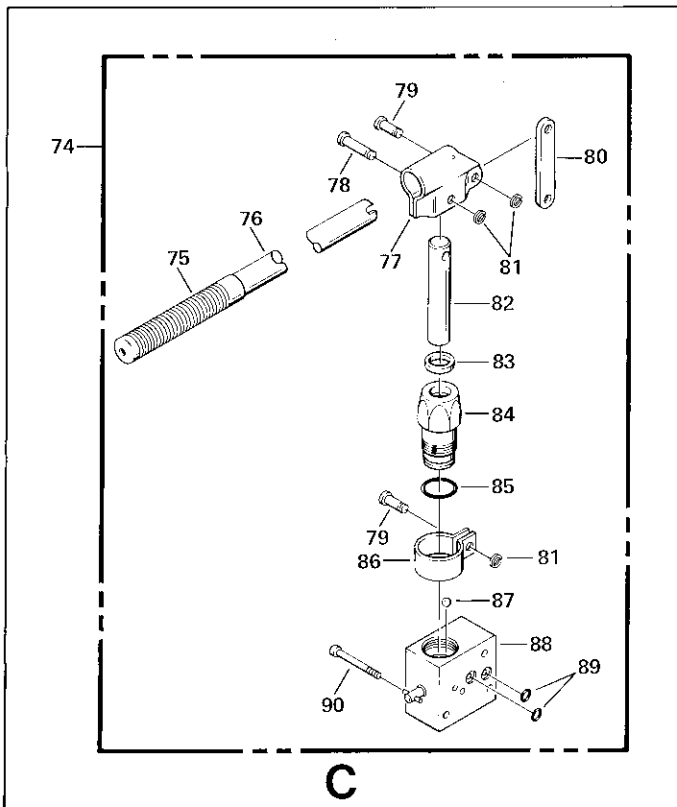
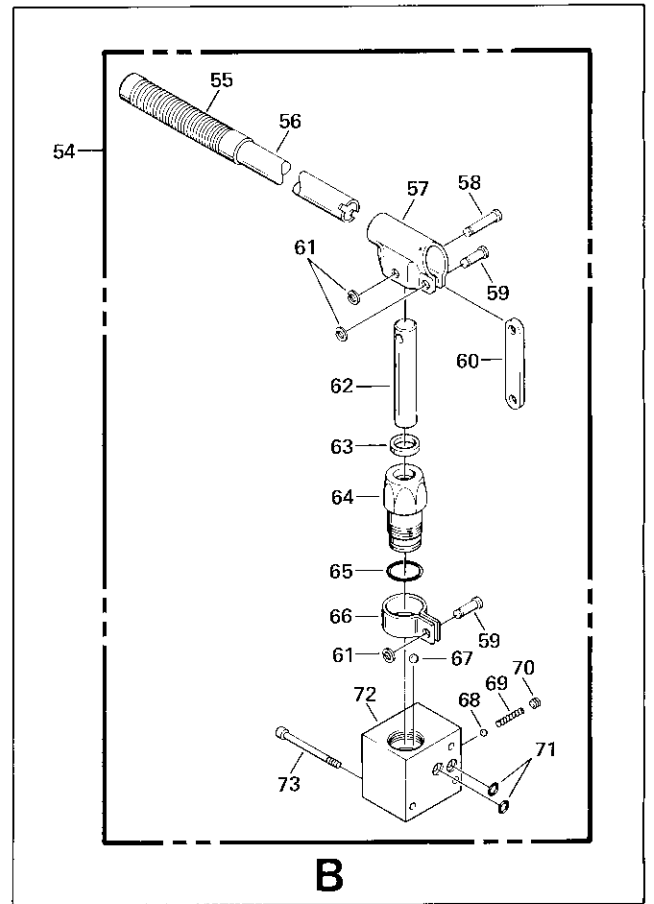
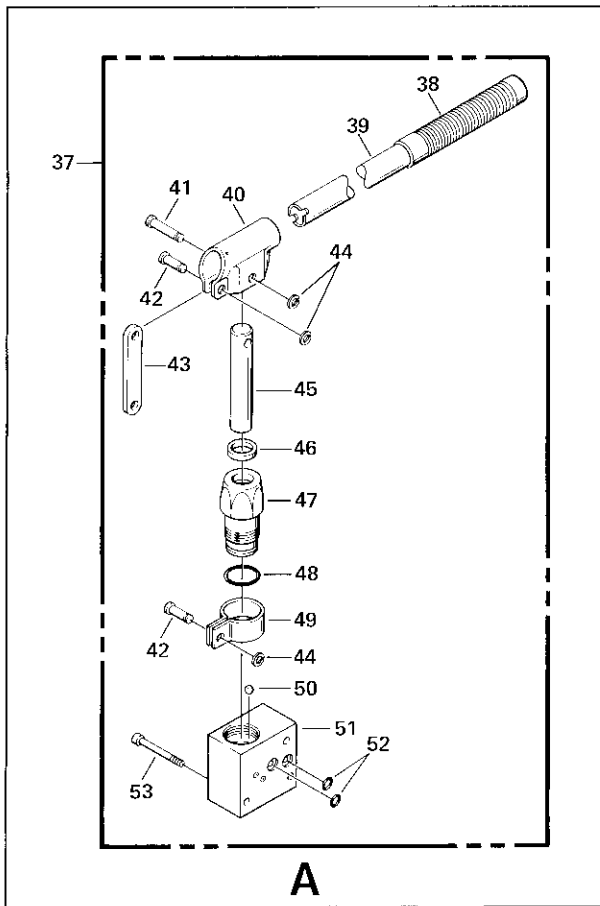
# monarch hydraulic pump 8111d parts diagram



**M-258**

Ref. No.	Part No.	Description	No. Req.
1	01361	CABLE, Insulated W/Lugs, 4-1/2", 6 ga	1
2	08110	MOTOR, Electric, 12 VDC	1
	08070	MOTOR, Electric, 24 VDC	1
3	07882	SCREW, Thread Forming, 10-24 x 1/4"	2
4	04378	BRACKET, Solenoid to Motor	1
5	07892	CLAMP, Hose, solenoid to motor	1
6	03335	SWITCH, Solenoid, 12 VDC, 4 post, isolated ground, curved base	1
	03774	SWITCH, Solenoid, 12 VDC, 4 post, isolated ground, flat base	1
	03427	SWITCH, Solenoid, 12 VDC, 3 post, grounded to can, curved base	1
	03493	SWITCH, Solenoid, 12 VDC, 3 post, grounded to can, flat base	1
	03463	SWITCH, Solenoid, 24 VDC, 4 post, isolated ground, curved base	1
	03464	SWITCH, Solenoid, 24 VDC, 4 post, isolated ground, flat base	1
	03343	SWITCH, Solenoid, 24 VDC, 3 post, grounded to can, curved base	1
	03775	SWITCH, Solenoid, 24 VDC, 3 post, grounded to can, flat base	1
7	03768	WIRE ASSEMBLY, Ground, 6-1/2" long	1
8	03991	PUMP ASSY., GC 62, std mt, wall mt, face port 7/16 SAE (with items 14 & 15)	1
	03992	PUMP ASSY., GC 62, std mt, wall mt, check valve port, 7/16 SAE male (with items 16 & 17)	1
	03993	PUMP ASSY., GC 42, std mt, wall mt, face port, 7/16 SAE (with items 14 & 15)	1
	03994	PUMP ASSY., GC 42, std mt, wall mt, check valve port, 7/16 SAE male (with items 16 & 17)	1
9	02970	• PARTS KIT, Seal & Gasket	1
10	03766	• PARTS KIT, Relief Valve	1
11	03274	• PLUG, SAE 3/4-16 (with 00142 SAE o-ring)	1
12	03633	• PARTS KIT, Check Valve (all except check valve port)	1
13	03276	• PLUG, 9/16-18 SAE (with 00114 SAE o-ring)	1
14	03827	• ADAPTER ASSEMBLY, 1/4 NPTF (with 00114 SAE o-ring)	1
15	03764	• PARTS KIT, Check Valve (use with check valve port)	1
16	05485	• O-RING, Industrial, 3 x 3-1/8 x 1/16	1
17	01418	STRAIN RELIEF (Plastic)	1
18	01723	POPPET ASSEMBLY, Pressure Compensated Flow Control (designate gpm, 01723 xx.xx)	1
19	01662	• O-RING, Industrial (7/16 x 9/16 x 1/16) - 013	1
20	03240	BOX ASSEMBLY, Push Button (weather proof)	1
21	01274	TUBE, Return, 1/8 NPT 90 Deg, horizontal (for 3-1/2" x 3-1/2" reservoirs)	1

Ref. No.	Part No.	Description	No. Req.
	03832	TUBE, Return, 1/8 NPT 90 Deg, horizontal (for 3-1/2" x 5-3/8" reservoirs)	1
22	03839	TUBE, Suction, 3/8 NPT 90 Deg, horizontal (for 3-1/2" x 3-1/2" reservoirs)	1
	01209	TUBE, Suction, 3/8 NPT 90 Deg, horizontal (for 3-1/2" x 5-3/8" reservoirs)	1
23	03849	TUBE, Return, 1/8 NPT x 4-13/16" (for vert 06230 reservoir)	1
	03848	TUBE, Return, 1/8 NPT x 9-7/16" (for vert 06231 reservoir)	1
	03847	TUBE, Return, 1/8 NPT x 14-1/16" (for vert 06232 reservoir)	1
	03846	TUBE, Return, 1/8 NPT x 18-11/16" (for vert 06233 reservoir)	1
	03838	TUBE, Return, 1/8 NPT x 2-3/4" (for vert 06218 reservoir)	1
	03840	TUBE, Return, 1/8 NPT x 4-5/8" (for vert 06217 reservoir)	1
	01986	TUBE, Return, 1/8 NPT x 6-1/2" (for vert 06216 reservoir)	1
	01611	TUBE, Return, 1/8 NPT x 8.0" (for vert 06215 reservoir)	1
	01523	TUBE, Return, 1/8 NPT x 10.0" (for vert 06214 reservoir)	1
	03837	TUBE, Return, 1/8 NPT x 12-1/8" (for vert 06213 reservoir)	1
24	03845	TUBE, Suction, 3/8 NPT x 4-15/16" (for vert 06230 reservoir)	1
	03844	TUBE, Suction, 3/8 NPT x 9-9/16" (for vert 06231 reservoir)	1
	03843	TUBE, Suction, 3/8 NPT x 14-3/16" (for vert 06232 reservoir)	1
	03842	TUBE, Suction, 3/8 NPT x 18-13/16" (for vert 06233 reservoir)	1
	03836	TUBE, Suction, 3/8 NPT x 2-7/8" (for vert 06218 reservoir)	1
	03841	TUBE, Suction, 3/8 NPT x 4-3/4" (for vert 06217 reservoir)	1
	03835	TUBE, Suction, 3/8 NPT x 6-5/8" (for vert 06216 reservoir)	1
	01522	TUBE, Suction, 3/8 NPT x 8-1/2" (for vert 06215 reservoir)	1
	03834	TUBE, Suction, 3/8 NPT x 10-3/8" (for vert 06214 reservoir)	1
	03833	TUBE, Suction, 3/8 NPT x 12-1/4" (for vert 06213 reservoir)	1
25	03771	CORD, Harness, 72" 16-3, switches grounded (push button)	1
	03772	CORD, Harness, 120" 16-3, switches grounded (push button)	1
	03773	CORD, Harness, 144" 16-3, switches grounded (push button)	1
26	01339	TERMINAL, Closed End, connector	1
27	03824	ELBOW, 90 deg, street	1
28	03171	PLUG, Vent (plastic)	1
29	06230	RESERVOIR, 3-1/2"x 3-1/2"x 6.46", in <sup>3</sup> usable oil = 27 vert., 31 horz.	1
	06231	RESERVOIR, 3-1/2" x 3-1/2" x 11.08", in <sup>3</sup> usable oil = 73 vert., 61 horz.	1
	06232	RESERVOIR, 3-1/2" x 3-1/2" x 15.70", in <sup>3</sup> usable oil = 120 vert., 92 horz.	1
	06233	RESERVOIR, 3-1/2" x 3-1/2"x 20.32", in <sup>3</sup> usable oil = 166 vert., 122 horz.	1
30	07890	CLAMP, Hose, reservoir	1
31	06218	RESERVOIR, 3-1/2" x 5-3/8"x 4.88", in <sup>3</sup> usable oil = 31 vert., 39 horz.	1
	06217	RESERVOIR, 3-1/2" x 5-3/8"x 6.76", in <sup>3</sup> usable oil = 61 vert., 63 horz.	1



**M-258**

Ref. No.	Part No.	Description	No. Req.
	06216	RESERVOIR, 3-1/2" x 5-3/8" x 8.64", in <sup>3</sup> usable oil = 92 vert., 87 horz.	1
	06215	RESERVOIR, 3-1/2" x 5-3/8" x 10.52", in <sup>3</sup> usable oil = 122 vert., 111 horz.	1
	06214	RESERVOIR, 3-1/2" x 5-3/8" x 12.40", in <sup>3</sup> usable oil = 152 vert., 135 horz.	1
	06213	RESERVOIR, 3-1/2" x 5-3/8" x 14.28", in <sup>3</sup> usable oil = 183 vert., 159 horz.	1
32	01516	PLUG, Vent (steel)	1
33	00488	VALVE, Electric, 2 way-2 position, 12 VDC, 4000 psi, poppet, grounded coil	1
	00491	VALVE, Electric, 2 way-2 position, 24 VDC 4000 psi, poppet, grounded coil	1
34	00496	• COIL, 2 Way-2 Position, normally closed, 12 VDC grounded coil	1
	00497	• COIL, 2-Way-2 Position, normally closed, 24 VDC grounded coil	1
35	00263	• CARTRIDGE, 2 Way-2 Position, normally closed, 12 VDC & 24 VDC, 4000 psi	1
36	00121	• • PARTS KIT, 2 Way-2 Position, cartridge	1
37	03943	HAND PUMP ASSEMBLY (Left Hand)	1
38	03914	• GRIP, Hand Pump	1
39	03890	• HANDLE ASSY, Hand Pump (includes grip)	1
40	04377	• BRACKET, Handle, receiver	1
41	03877	• PIN, Clevis, piston, handle, 5/16" x 1-1/8"	1
42	03878	• PIN, Clevis, piston, handle, 5/16" x 1/2"	2
43	04381	• BRACKET, Tension Link	1
44	03876	• RING, Retaining, 5/16"	3
45	03915	• ROD, Piston, 3/4"	1
46	03932	• SEAL, Piston Rod	1
47	03916	• HOUSING, Piston Rod	1
48	01475	• O-RING, Industrial, 15/16 x 1-1/16 x 1/16	1
49	04380	• BRACKET, Piston Housing Collar	1
50	00126	• BALL, 5/16" Dia.	1
51	00600	• HOUSING ASSY., Main Body, left	1
52	00113	• O-RING, Industrial, 5/16 x 7/16 x 1/16	2
53	07746	• SCREW, Socket Head Cap, 1/4-20 x 1-3/4"	3
54	03956	HAND PUMP ASSEMBLY	1
55	03914	• GRIP, Hand Pump	1
56	03890	• HANDLE ASSY, Hand Pump (includes grip)	1
57	04377	• BRACKET, Handle, receiver	1
58	03877	• PIN, Clevis, piston, handle, 5/16" x 1-1/8"	1
59	03878	• PIN, Clevis, piston, handle, 5/16" x 1/2"	2

Ref. No.	Part No.	Description	No. Req.
60	04381	• BRACKET, Tension Link	1
61	03876	• RING, Retaining, 5/16"	3
62	03915	• ROD, Piston, 3/4"	1
63	03932	• SEAL, Piston Rod	1
64	03916	• HOUSING, Piston Rod	1
65	01475	• O-RING, Industrial, 15/16 x 1-1/16 x 1/16	1
66	04380	• BRACKET, Piston Housing Collar	1
67	00126	• BALL, 5/16" Dia.	1
68	03873	• BALL, 3/16" Dia.	1
69	03917	• SPRING, Check, main	1
70	07669	• PLUG, Flush, 1/16-27 NPTF	1
71	00113	• O-RING, Industrial, 5/16 x 7/16 x 1/16	2
72	00625	• HOUSING ASSY., Main Body	1
73	07761	• SCREW, Socket Head Cap, 1/4-20 x 2-1/4"	3
74	03987	HAND PUMP ASSEMBLY (right hand)	1
75	03914	• GRIP, Hand Pump	1
76	03890	• HANDLE ASSY, Hand Pump (includes grip)	1
77	04377	• BRACKET, Handle, receiver	1
78	03877	• PIN, Clevis, piston, handle, 5/16" x 1-1/8"	1
79	03878	• PIN, Clevis, piston, handle, 5/16" x 1/2"	2
80	04381	• BRACKET, Tension Link	1
81	03876	• RING, Retaining, 5/16"	3
82	03915	• ROD, Piston, 3/4"	1
83	03932	• SEAL, Piston Rod	1
84	03916	• HOUSING, Piston Rod	1
85	01475	• O-RING, Industrial, 15/16 x 1-1/16 x 1/16	1
86	04380	• BRACKET, Piston Housing Collar	1
87	00126	• BALL, 5/16" Dia.	1
88	00626	• HOUSING ASSY., Main Body, right	1
89	00113	• O-RING, Industrial, 5/16 x 7/16 x 1/16	2
90	07746	• SCREW, Socket Head Cap, 1/4-20 x 1-3/4"	3
91	03317	BOX ASSEMBLY, Push Button	1
92	01418	• STRAIN RELIEF (plastic)	1
93	03313	• SWITCH, Push Button, 2-terminal	2



U.S.A.:  
**MONARCH HYDRAULICS, INC.**  
 \*Formerly Monarch Road Machinery\*  
 P.O. Box 1764, Grand Rapids, Michigan 49501-1764, U.S.A.  
 Telephone: (616) 458-1306 / Telex: 226467 MONARCH GDR  
 Telefax: (616) 458-1616

CANADA:  
**FLUID-PACK INTERNATIONAL LIMITED**  
 A Part of the Monarch Hydraulics Group  
 460 Newbold St., London, Ontario, Canada N6E 1K3  
 Telephone: (519) 686-5900 / Telex: 064 5938 FLUID PACK LDN  
 Telefax: (519) 686-8976